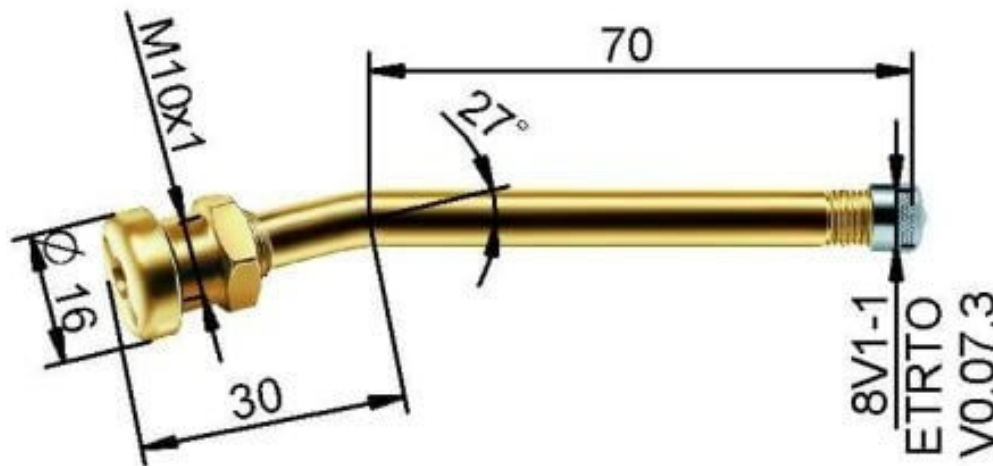


article number: 770273



description	100MS9,7/30-27° Rim valves for tubeless tyres of commercial vehicles O-ring seal
Anwendungsgebiet	Commercial vehicles
Art.No.	770273
ETRTO no.	V3.20.12
tdt_ventilloch	9,7 + 0,3
Pressure range	< 14 bar
tdt_felgenstaerke	felgenstaerke=3,0 - 6,0 felgenstaerke=3,0 - 6,0
tdt_installationtorque_nm	42339
Typ	MSF valve
tdt_druckbereich_bar	< 14 bar
tdt_ventilloch_durchmesser_mm	9,7 + 0,3
tdt_felgendicke_mm	3,0 - 6,0
tdt_anzugsmoment_nm	12 - 15
A (mm)	30
B (mm)	70
A (°)	27
PU	10