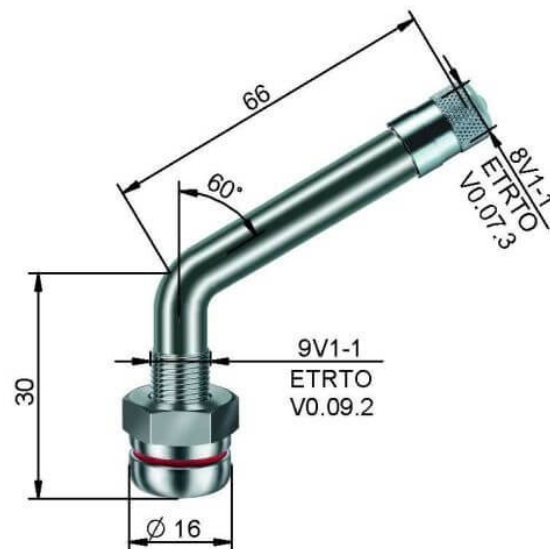


article number: 770676



description	ALCOA Truck valve 94MS9,7 / 30-60° Rim valves for tubeless tyres of commercial vehicles Particularily suitable for light metal alloy rims parts made of nickel-plated brass
Anwendungsgebiet	Commercial vehicles
Art.No.	770676
TR No.	545D
tdt_installationtorque_nm	41883
Typ	ALCOA Truck valve
tdt_druckbereich_bar	< 14 bar
tdt_ventilloch_durchmesser_mm	9,7 + 0,3
tdt_felgendicke_mm	3,0 - 6,0
tdt_anzugsmoment_nm	9 - 14
A (mm)	30
B (mm)	66
A (°)	60